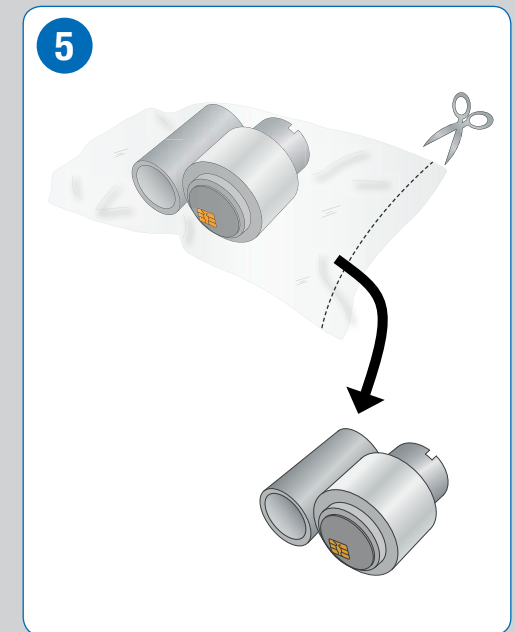
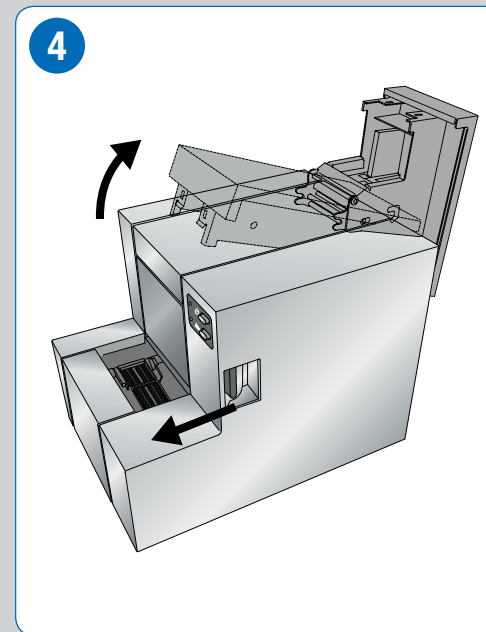
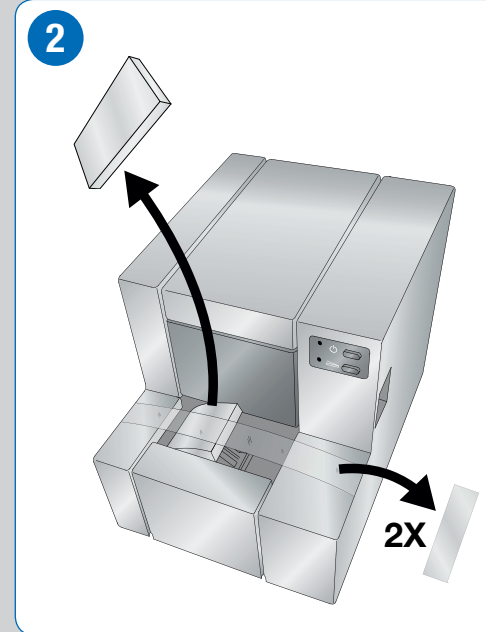
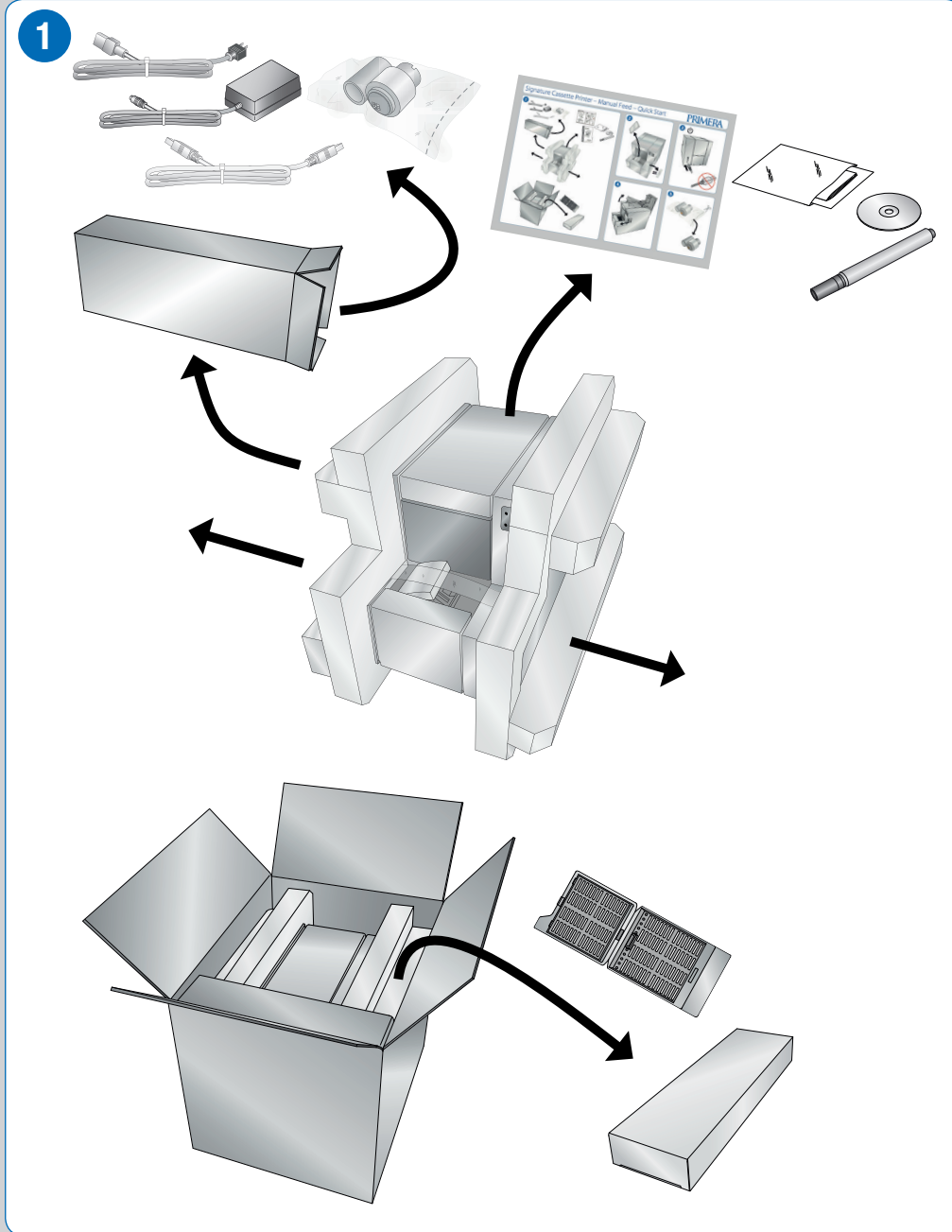
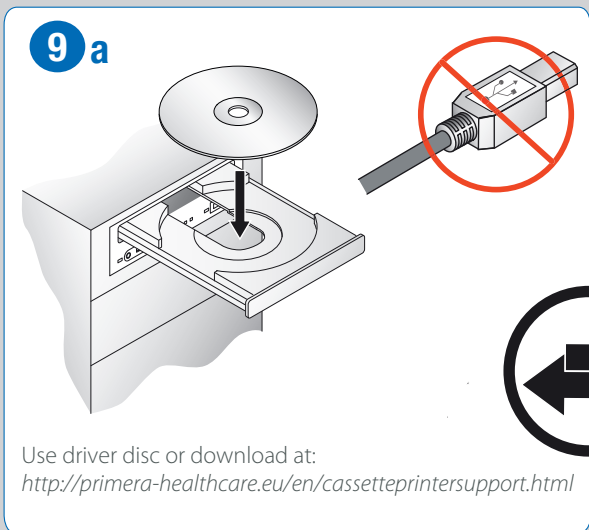
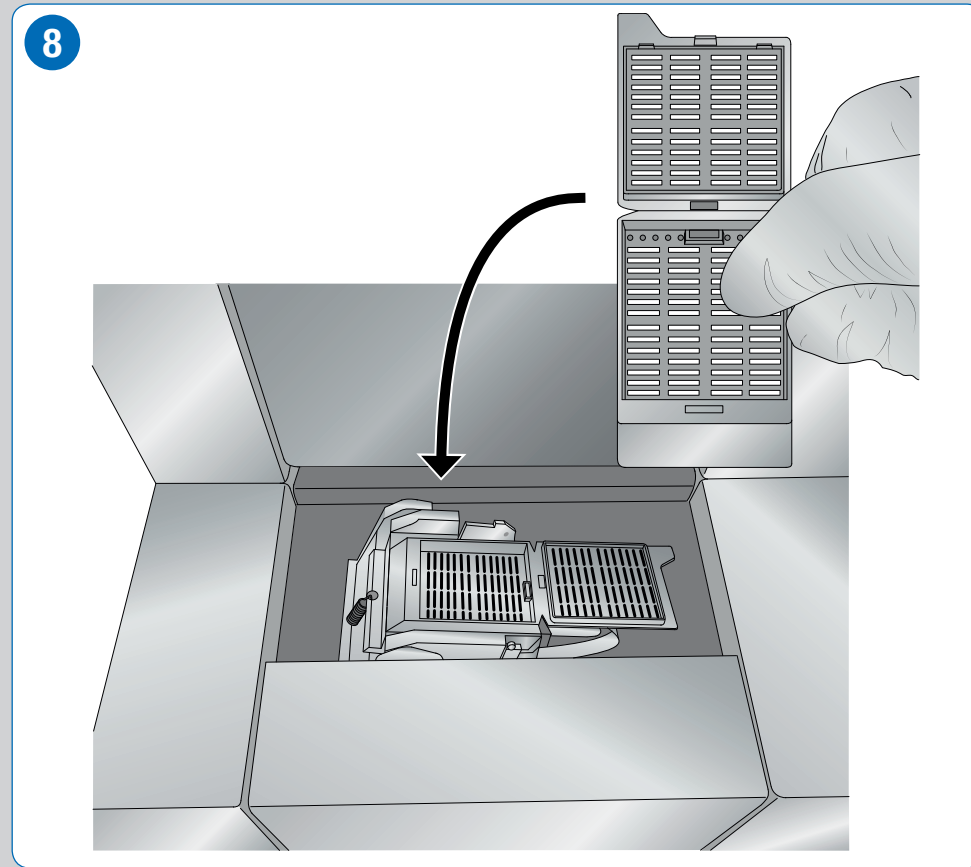
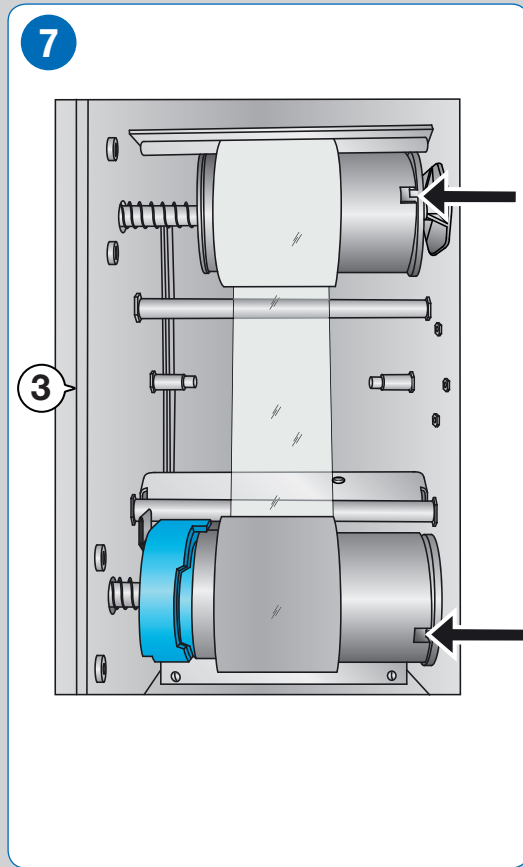
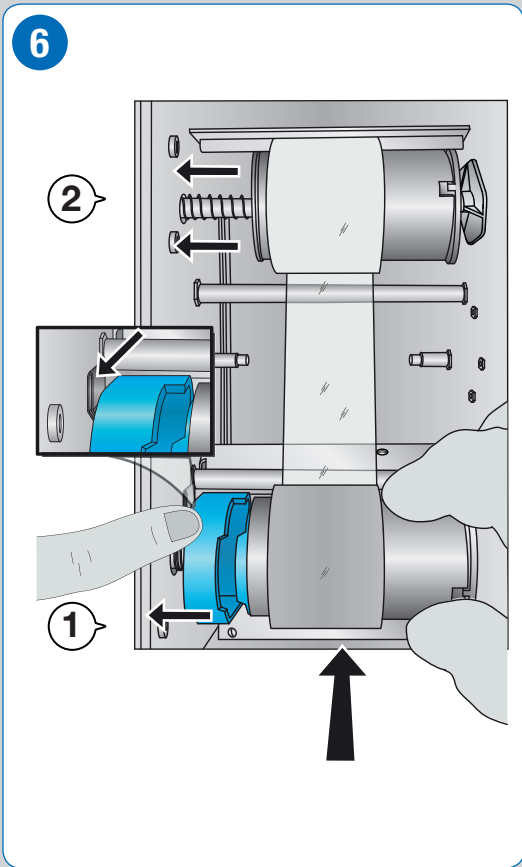


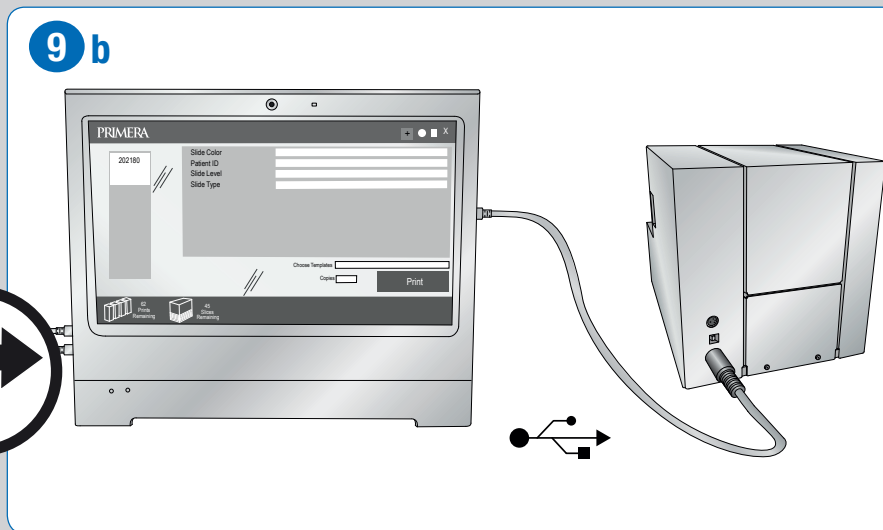
# Signature Cassette Printer – Manual Feed – Quick Start

# PRIMERA





Use driver disc or download at:  
<http://primera-healthcare.eu/en/cassetteprintersupport.html>



## Free Technical Support!

Contact Primera's support via email at [support@primera.eu](mailto:support@primera.eu), by phone at +49 611 92777-0 or visit the Knowledge Base at [primera-healthcare.eu/en/knowledgebase.html](http://primera-healthcare.eu/en/knowledgebase.html). This service is free for all our customers.

## Further Help?

For further information, the latest installer, driver, firmware, software, useful manuals and support videos please visit: [primera-healthcare.eu/en/cassetteprintersupport.html](http://primera-healthcare.eu/en/cassetteprintersupport.html)

**PRIMERA**  
 TECHNOLOGY EUROPE™